

PART 1

Rental Agreement No:

IMPORTANT NOTICE: BettaCns Airport Car Hire A.B.N. 40 700 882 539. This Rental Agreement forms part of the terms and conditions of rental between BettaCns Airport Car Hire (as defined in the Rental Agreement) and the renter/s named on this Agreement.

Renter/s Hirer Information

Family Name: Given Names:

Address:

Phone: Email:

DOB: License No: Expiry:

Primary and Additional Drivers: Please see attached photo identities.

The primary driver is responsible for all additional drivers.

Location Information

Date & Time Out: **From** 397 Lake St, Cairns Qld 4870

Due In: **Back to** 397 Lake St, Cairns Qld 4870

Time In:

Vehicle Information

Description:

Vehicle VIN # Odometer In:

Registration # Odometer Out:

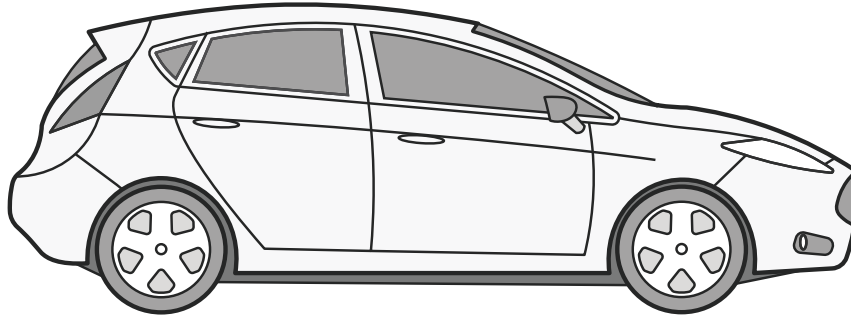
Owning Location: Total kms driven:

Fuel Type: Fuel Level Out:

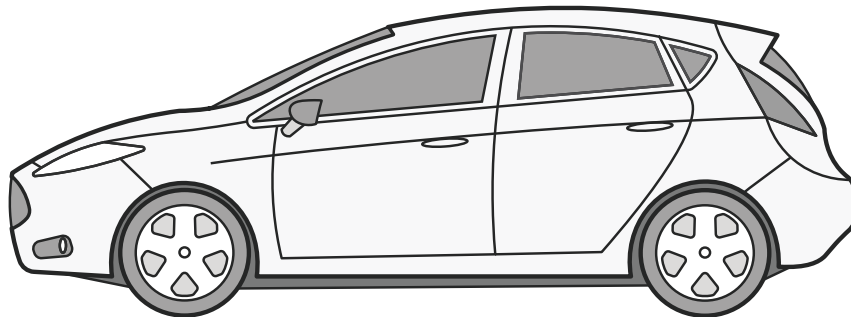
This vehicle is covered for road side assistance with RACQ. Call 131 905

Vehicle Condition

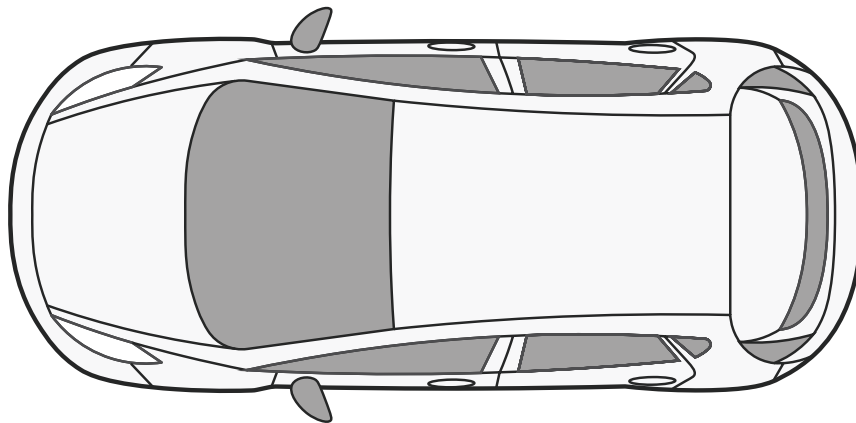
HATCH



Drivers Side



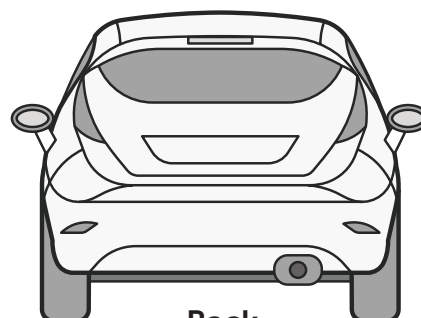
Passenger Side



Top



Front



Back

Signature:.....

Date:.....

Acceptance of Loss / Damage Liability

In the event of any loss, damage or liability

(a) You agree to pay the Loss or Damage or

Liability Excess of \$.....

(b) If you are in breach of the Rental Agreement terms and conditions you agree to pay for any loss, damage, or liability in full.

You acknowledge you are responsible for the vehicle until BettaCns Airport Car Hire accepts custody.

Accepts/Declines Excess

\$ [Initial]

Note: Payment of the Excess does not resolve you of your liabilities under the terms and conditions of this Rental Agreement contract.

Fuel Rental Rates \$..... / Litre*

Charges are subject to a full inspection of the vehicle by a your BettaCns Airport Car Hire representative.

Date Printed: Time:

Rental Bond\$

Rental Bond Terms

A bond will be taken at the time of collection of your vehicle. This bond may be used for any fees and charges owed to us including:

- Any balance owing on the rental agreement
- Excessive cleaning charges
- Late return fees
- Low fuel balance on return of hire
- Minor Damage and loss of hire up to the bond amount
- Administration costs
- Parking fines and traffic infringement administration fee
- Windscreen and tyre repairs

Any balance of the bond will be refunded to you back to the original card used for the bond.

In the event that what you owe us exceeds your bond amount, we reserve the right to charge the balance to your card supplied with the rental.

Signature:.....

Date:.....

Vehicle Hire and Charges

Qty	PRODUCT/SERVICE	UNIT	TYPE	DAYS	RATE	TOTAL

TOTAL
GST
LESS AMOUNT PAID
OWING

Agreement to hire rental vehicle - Part 1

You acknowledge that you have received and understood the terms and conditions of Part 1 & 2 of the Rental Agreement. You authorise BettaCns Airport Car Hire to charge all unpaid monies due that exceed the bond, to the credit card provided on the Rental Agreement or any other credit card provided to settle any charges and obligations payable on this Rental Agreement. If you return the vehicle more than 60 minutes after the time due in, an additional day will be payable. Please note that any remaining Credit Card bond will not be released prior to 5 days from the date the vehicle is returned to BettaCns Airport Car Hire. We may hold the bond longer if a more detailed assessment is required.

Signature:..... Date:.....

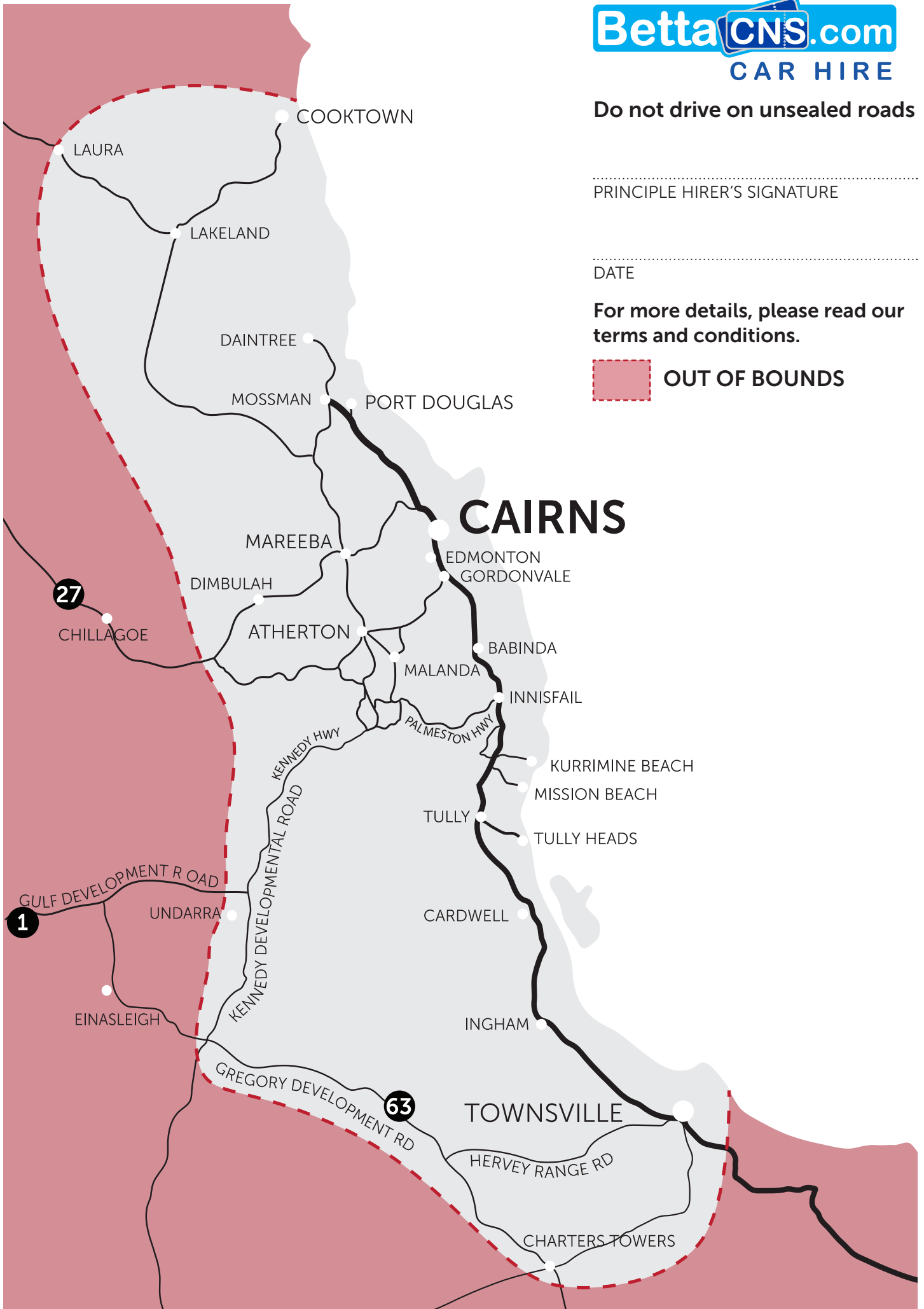
Do not drive on unsealed roads

.....
PRINCIPLE HIRER'S SIGNATURE

.....
DATE

For more details, please read our terms and conditions.

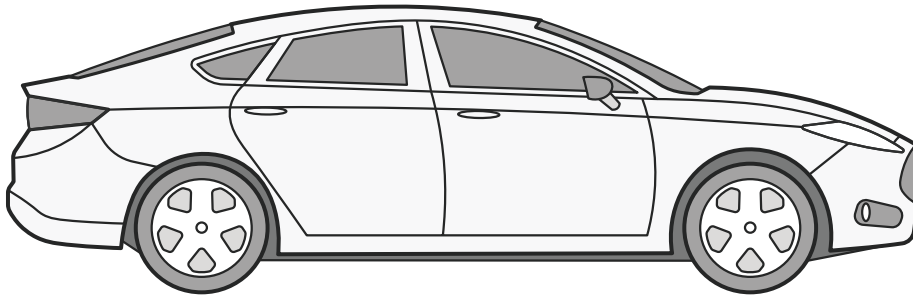
 **OUT OF BOUNDS**



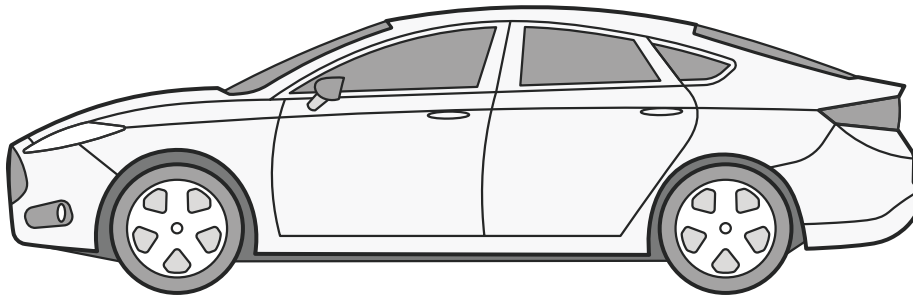
This vehicle is covered for road side assistance with RACQ. Call 131 905

Vehicle Condition

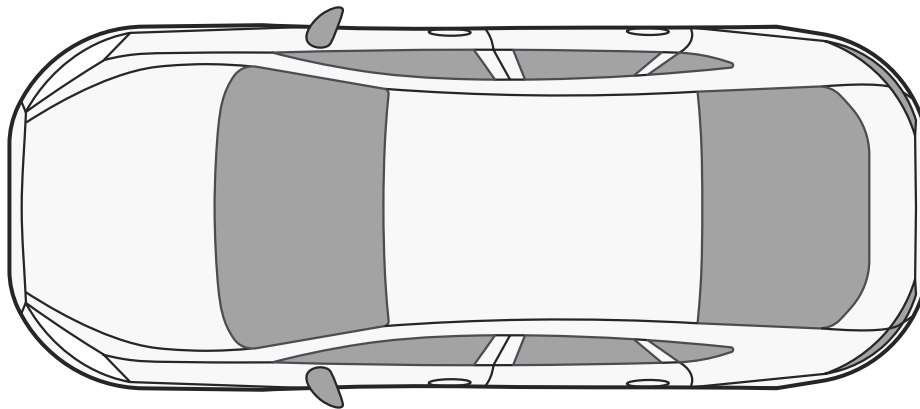
SEDAN



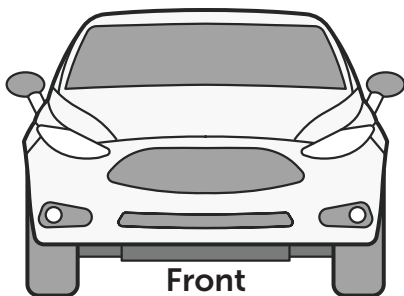
Drivers Side



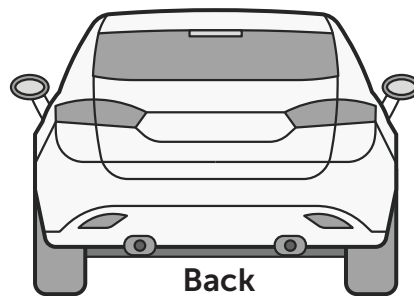
Passenger Side



Top



Front



Back

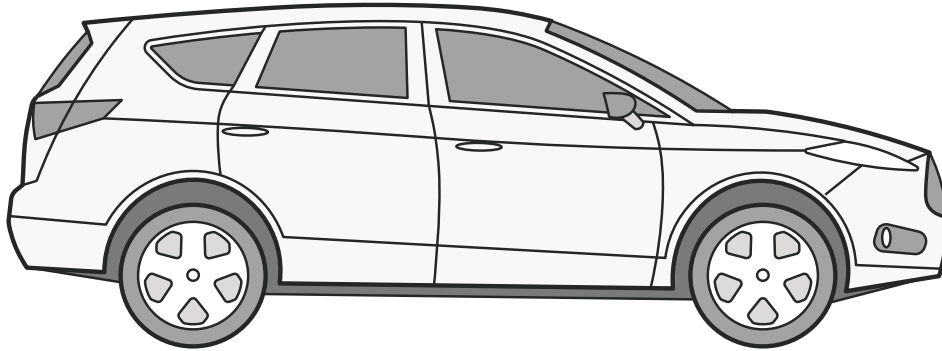
Signature:.....

Date:.....

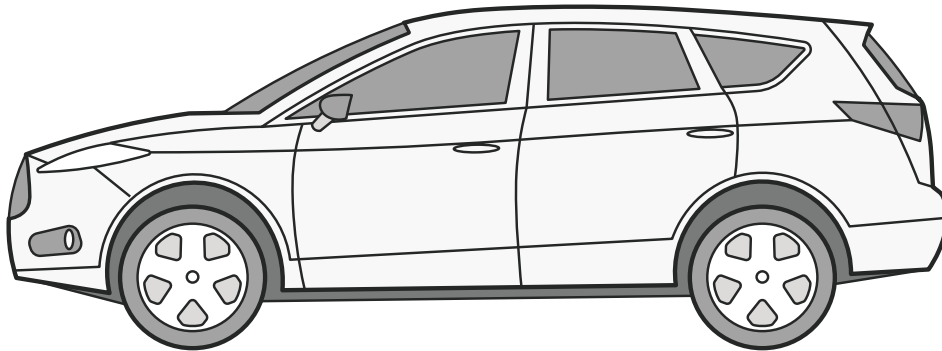
This vehicle is covered for road side assistance with RACQ. Call 131 905

Vehicle Condition

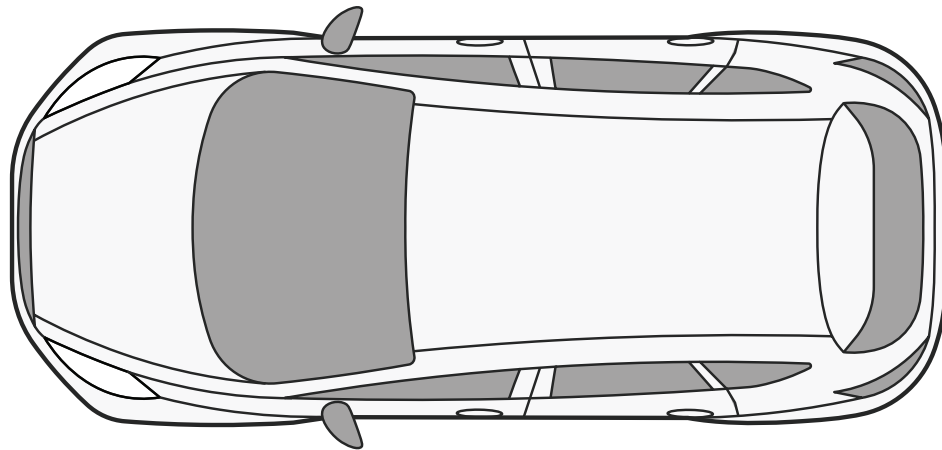
SUV



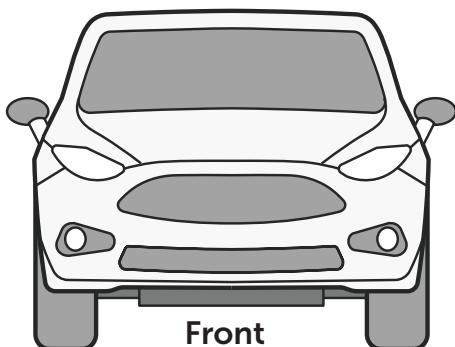
Drivers Side



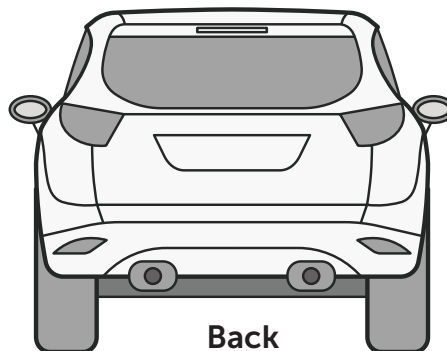
Passenger Side



Top



Front



Back

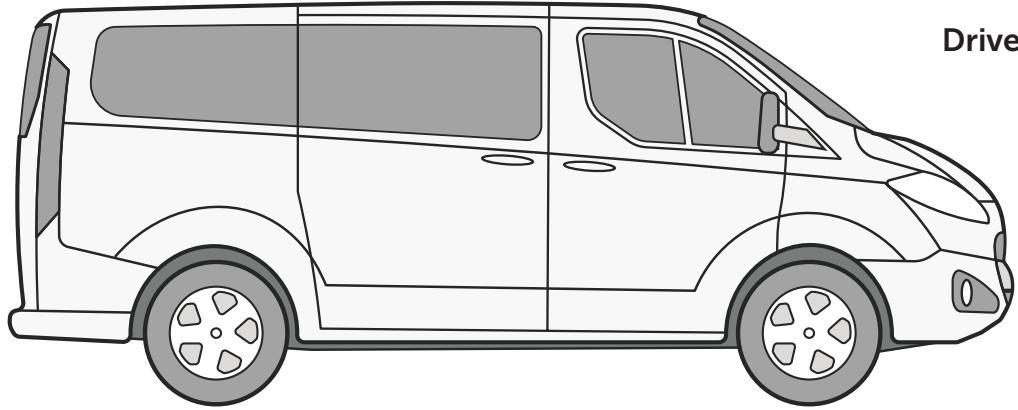
Signature:.....

Date:.....

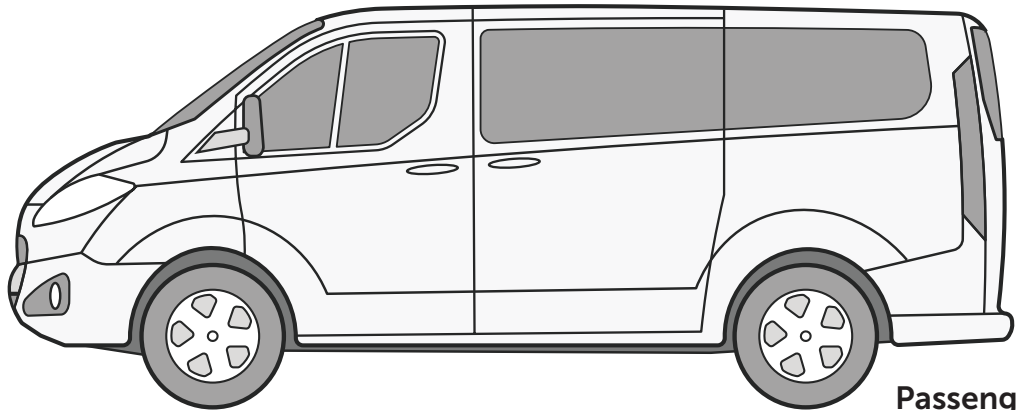
This vehicle is covered for road side assistance with RACQ. Call 131 905

Vehicle Condition

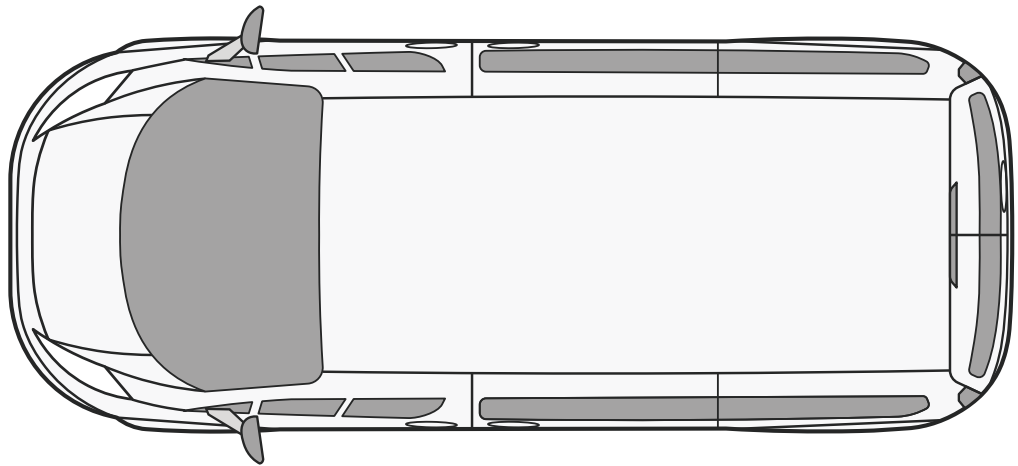
VAN



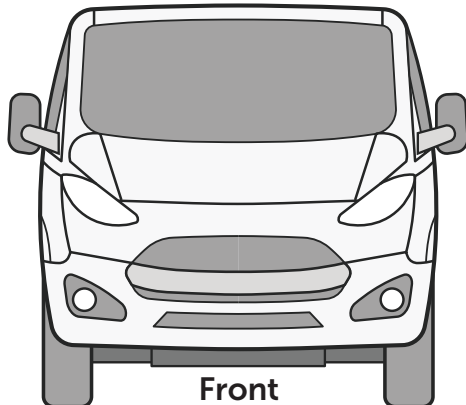
Drivers Side



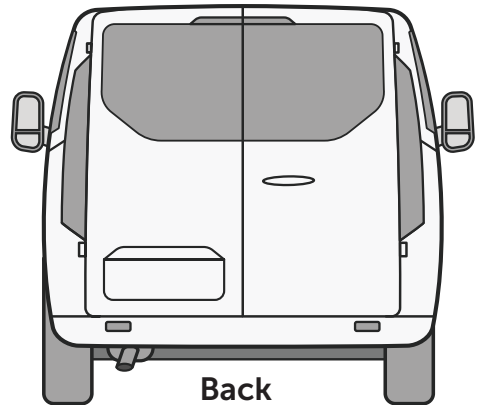
Passenger Side



Top



Front



Back

Signature:..... Date:.....

This vehicle is covered for road side assistance with RACQ. Call 131 905

Vehicle Condition

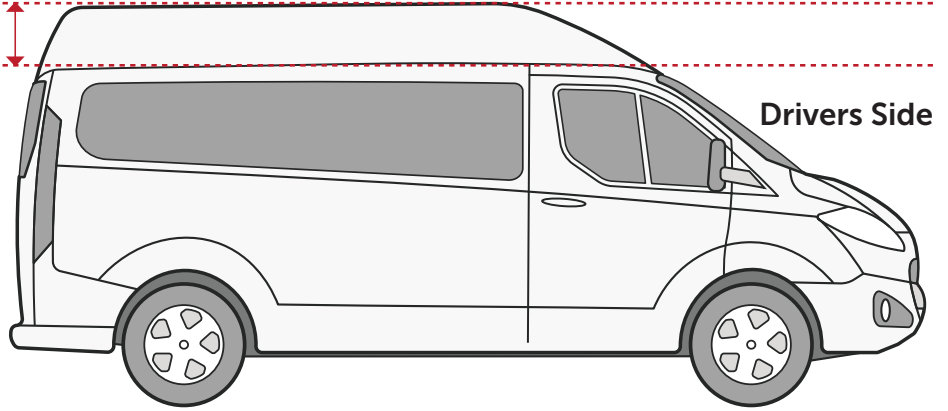
VAN

**No cover for damage above
windscreens front and rear.
Be aware of vehicle height.**

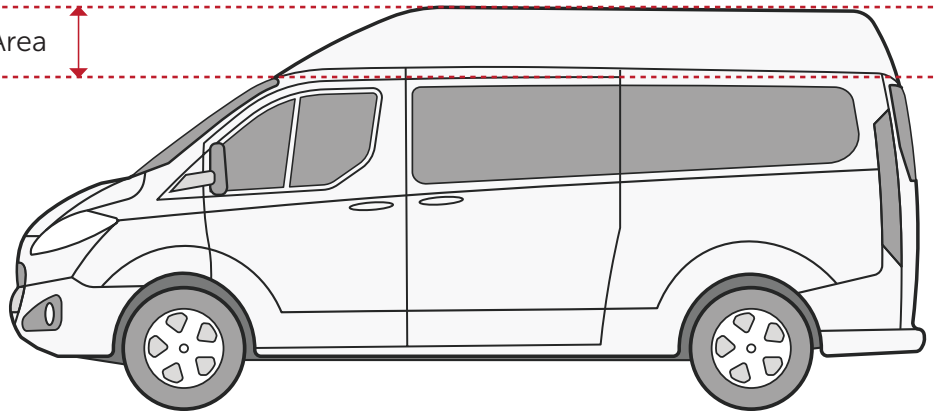
.....
PRINCIPLE HIRER'S SIGNATURE

.....
DATE

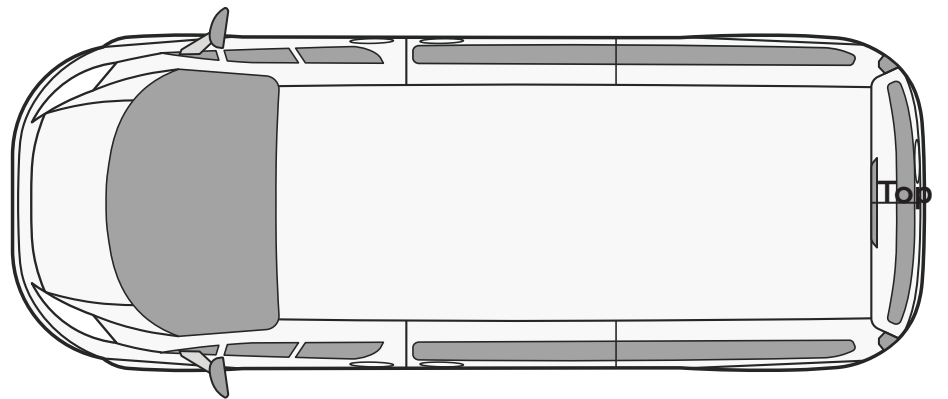
Uninsurable Roof Area



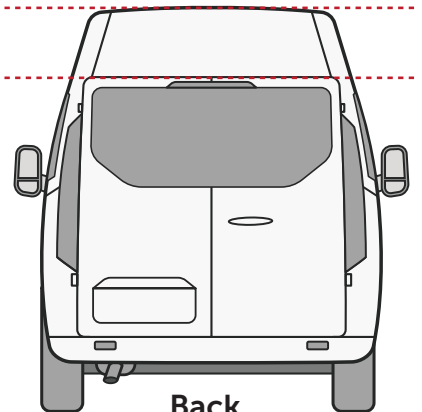
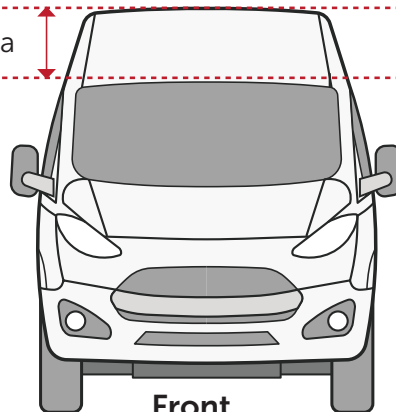
Uninsurable Roof Area



Top



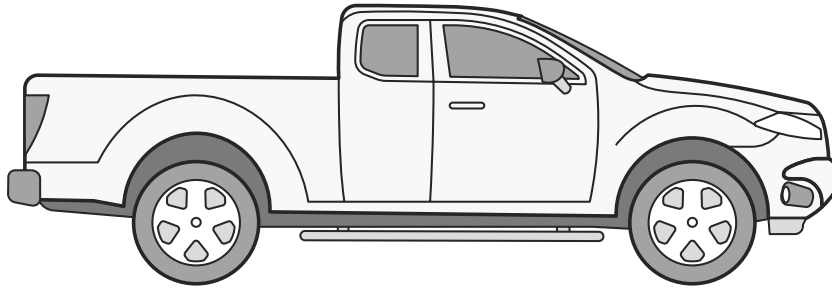
Uninsurable Roof Area



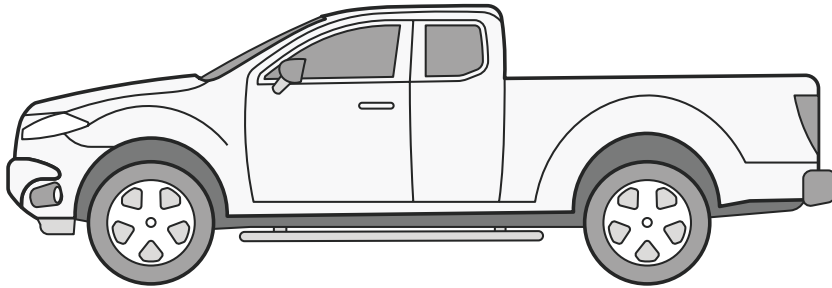
This vehicle is covered for road side assistance with RACQ. Call 131 905

Vehicle Condition

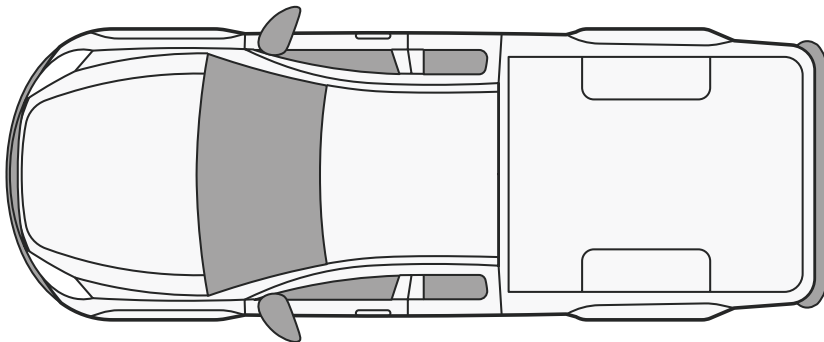
UTE



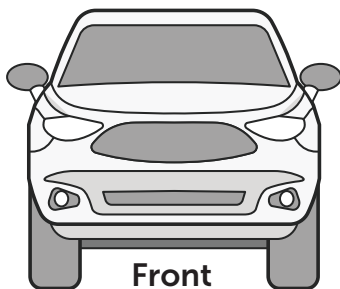
Drivers Side



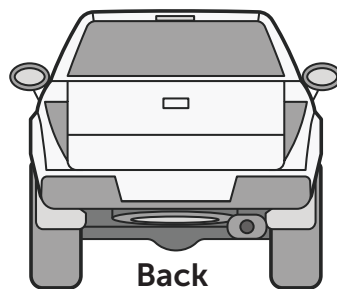
Passenger Side



Top



Front



Back

Signature:.....

Date:.....